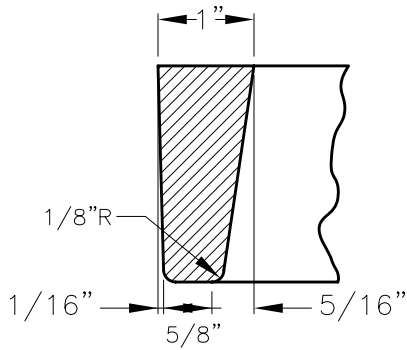
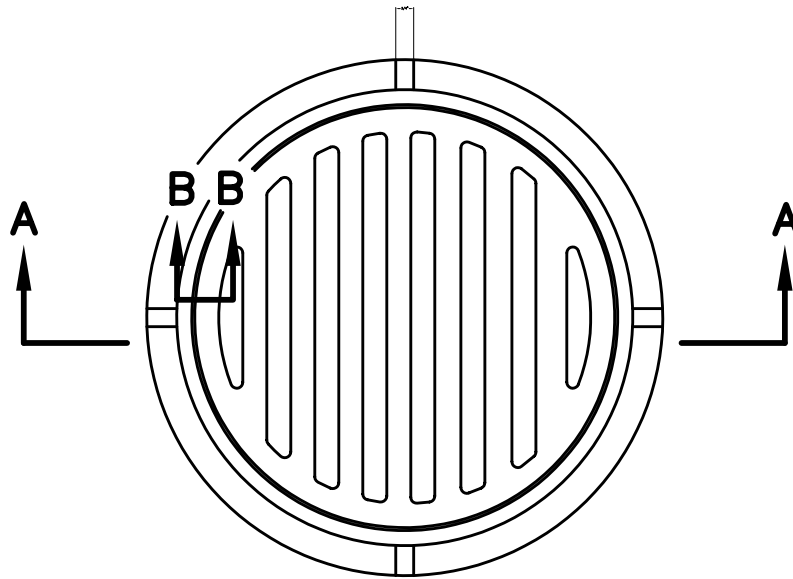




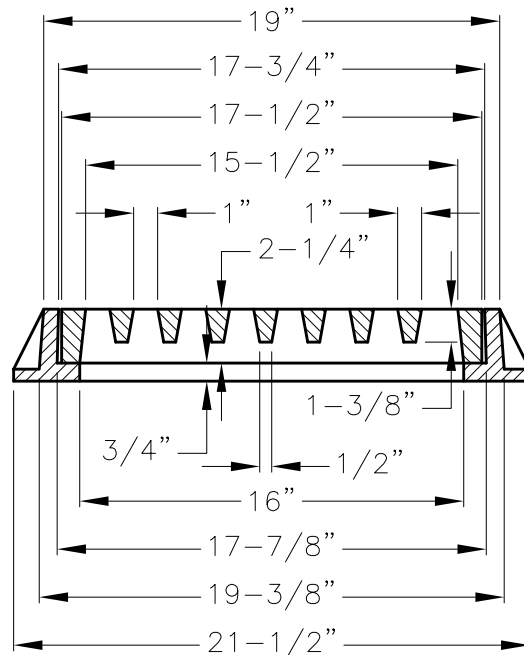
CITY OF LODI

PUBLIC WORKS DEPARTMENT

Drop Inlet Catch Basin Assembly



Section B-B



Section A-A

Dr.	KT	No.	Date	Revision	Appr.	Approved By:	STD PLAN
Ch.	WS					 F. Wally Sandelin City Engineer R.C.E. 39895	12/28/00 Date
Date	12/00						