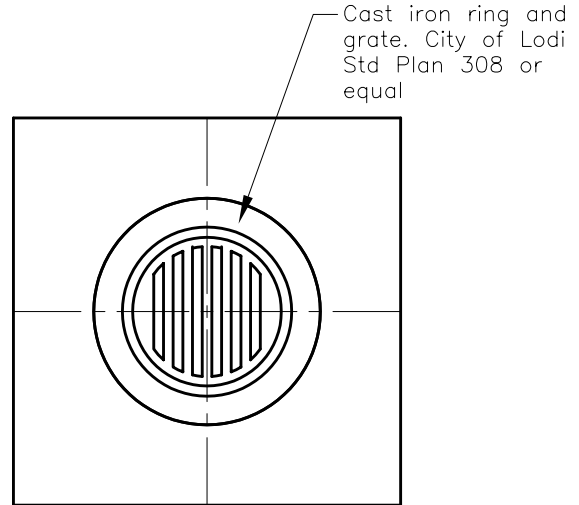




CITY OF LODI

PUBLIC WORKS DEPARTMENT

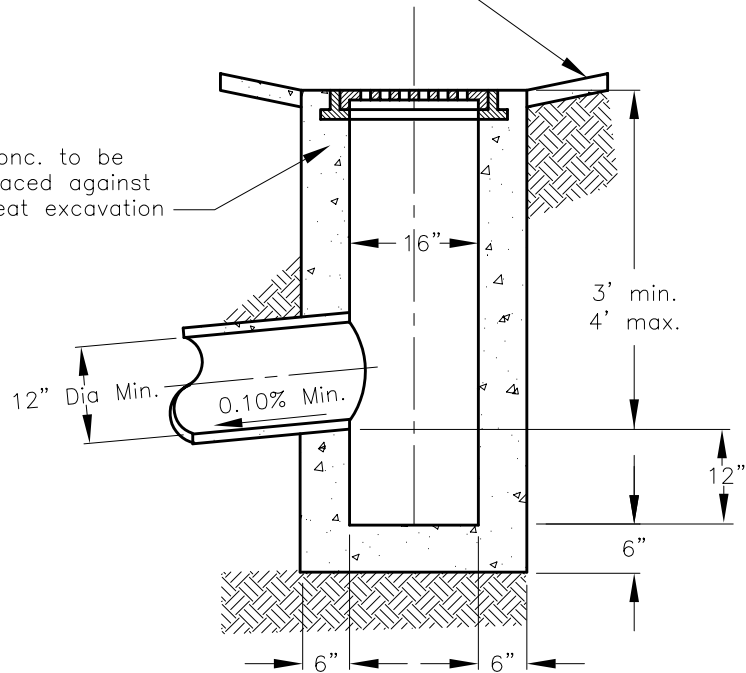
Drop Inlet Catch Basin



Cast iron ring and grate. City of Lodi Std Plan 308 or equal

If shown on the plan a 2" A.C. apron shall be placed around Drop Inlet Catch Basin. If the size of apron is not indicated on the plan it shall be 4'x4' min.

Conc. to be placed against neat excavation



Notes:

1. Conc. 2500 psi at 28 days
1 1/2" max. agg.
4" slump at placing site.
Light broom finish.
Impervious membrane cure.
2. For trench backfill requirements see Std Plan 501.
3. For 24" catch basin, use Std Plan 310 with slotted cover.
4. Alternate construction—use 18" RCP, grout all openings and voids smooth.

Dr. KT	No.	Date	Revision	Appr.	Approved By:	12/28/00 Date	STD PLAN 304
Ch. WS					<i>F. Wally Sandelin</i> F. Wally Sandelin City Engineer R.C.E. 39895		
Date							
12/00							