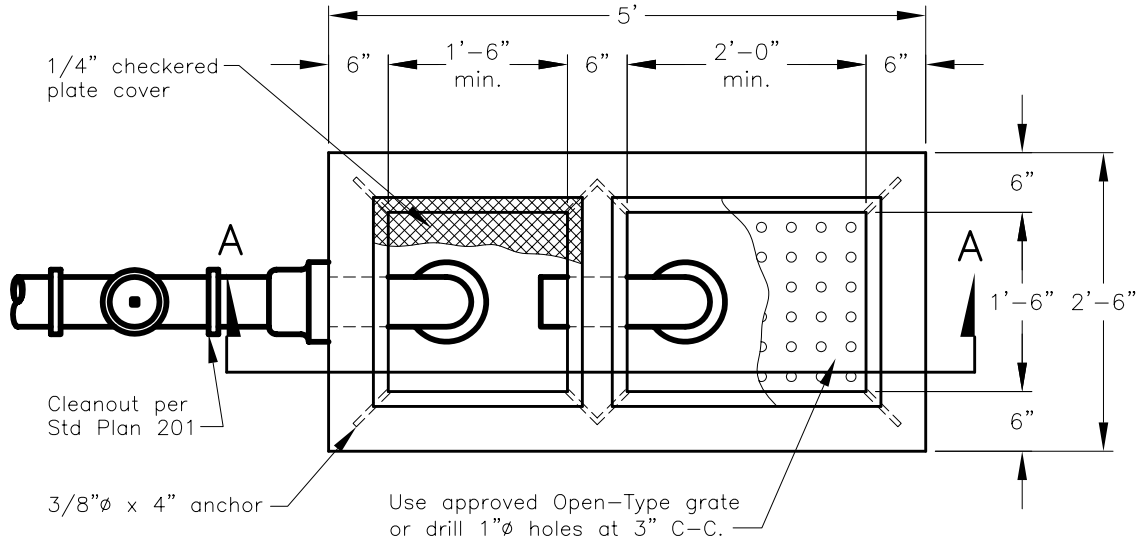




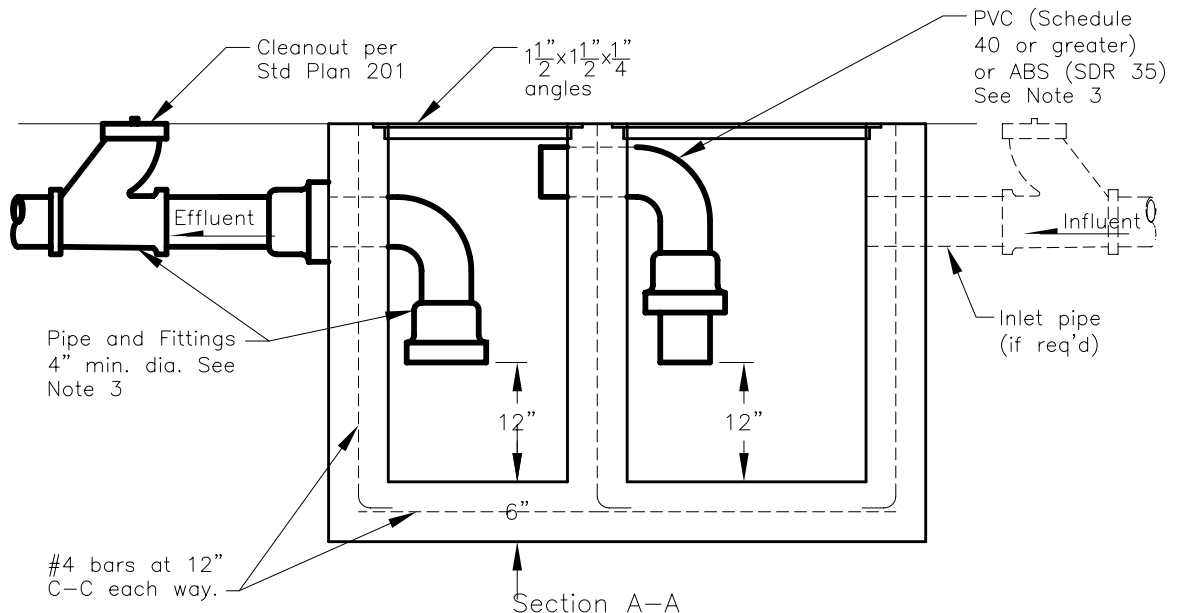
# CITY OF LODI

PUBLIC WORKS DEPARTMENT

## Sand/Oil Trap



Plan



Section A-A

Notes:

1. All exposed steel to be galvanized after fabrication.
2. Precast commercial units are acceptable with prior approval.
3. For petrochemical applications cast iron fittings and piping shall be used.
4. Floor to drain to open grate or drilled plate cover.

Dr. KT	No.	Date	Revision	Appr.	Approved By:	STD PLAN
Ch. WS					<i>F. Wally Sandelin</i>	205
Date 12/00					F. Wally Sandelin City Engineer R.C.E. 39895	12/28/00 Date