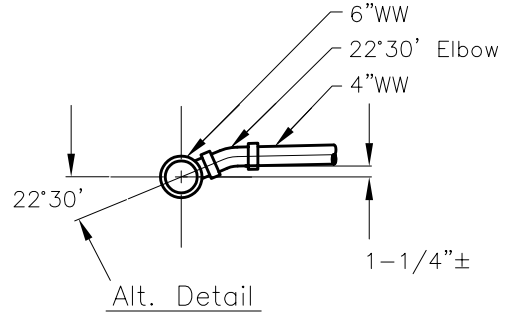
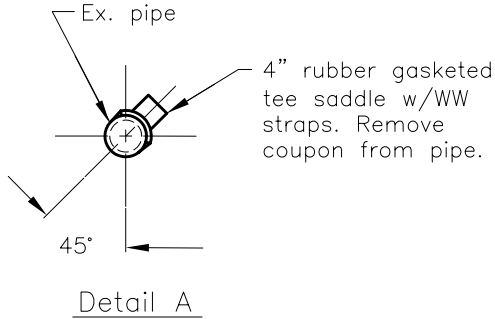




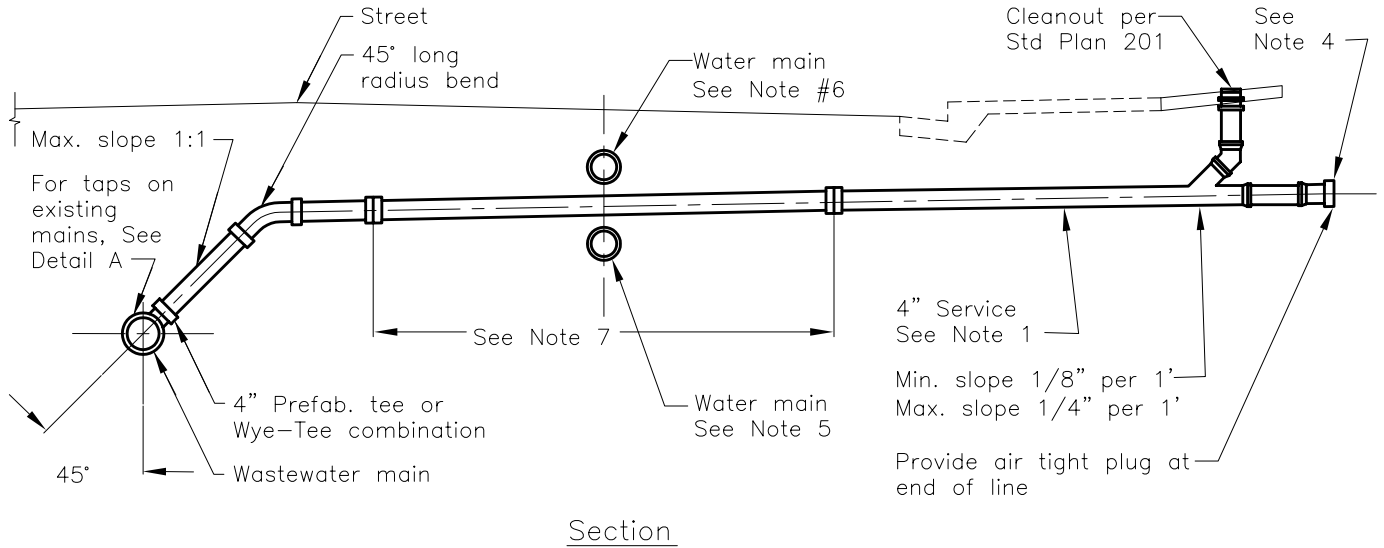
CITY OF LODI

PUBLIC WORKS DEPARTMENT

Wastewater Service



(To be used only w/ approval of Engineer on shallow mains)



Notes:

1. Pipe shall be Vitriified Clay Pipe per ASTM C-700 with compression joint per ASTM C-425 or compression coupling per ASTM C-594; Polyvinyl Chloride Pipe per ASTM D-3034 SDR 35; or Ductile Iron Class 50 with Compression Joint and Rubber Ring per ASTM D 1869. 6" and larger services per plans and waste water main standards.
2. Backfill shall conform to Std. Plan 501.
3. Taps on existing mains shall be made by the Contractor per Detail A when shown on the plans or approved by the Engineer.
4. When service is installed with water service, terminate even with the water stub.
5. Where service crosses over WM, 4" min. clearance and special construction are required (See Note 7)
6. Where service crosses under WM with less than 12" clearance, 4" clearance and special construction are required. (See Note 7)
7. Special construction: center length of pipe on water main. Short stick clay pipe not allowed. When service constructed under this condition (See Note 1)

Dr. KT	No.	Date	Revision	Appr.	Approved By:	F. Wally Sandelin City Engineer R.C.E. 39895	12/28/00 Date	STD PLAN	
Ch. WS									203
Date 12/00									