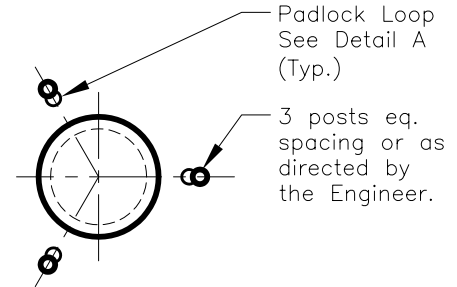
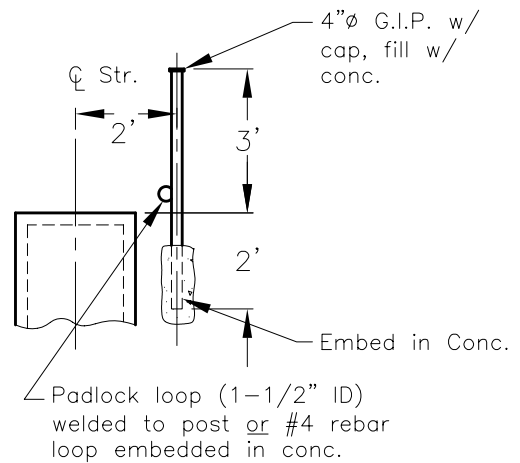


Section



Bollard Location Detail



Detail A

Notes:

1. Monitoring structures shall be installed on storm and wastewater services when required by the Engineer or as shown on the plans. Normal location is between the back of sidewalk and the R/W.

2. Construction guidelines:

Location	Wall	Top
Traffic Area	Precast conc. per ASTM C-478 or 6" CIP conc.	Frame & Cover per Std Plan 309
Landscape Area	Precast pipe - VCP, RCP or CP	Expandable Plug

3. For services over 18"Ø, consult Engineering Division.

4. Monitoring structure to be privately owned and maintained.

5. Where 30" min. depth cannot be maintain, the structure shall be located behind the sidewalk and be installed with padlock loop per Detail A.

6. Posts required when structure is less than 30" and is located in a traffic area.

7. For trench backfill requirements, See Std. Pln 501.

Dr. KT	No.	Date	Revision	Appr.	Approved By: <i>F. Wally Sandelin</i>	12/28/00	STD PLAN 202
Ch. WS					F. Wally Sandelin City Engineer R.C.E. 39895	Date	
Date 12/00							