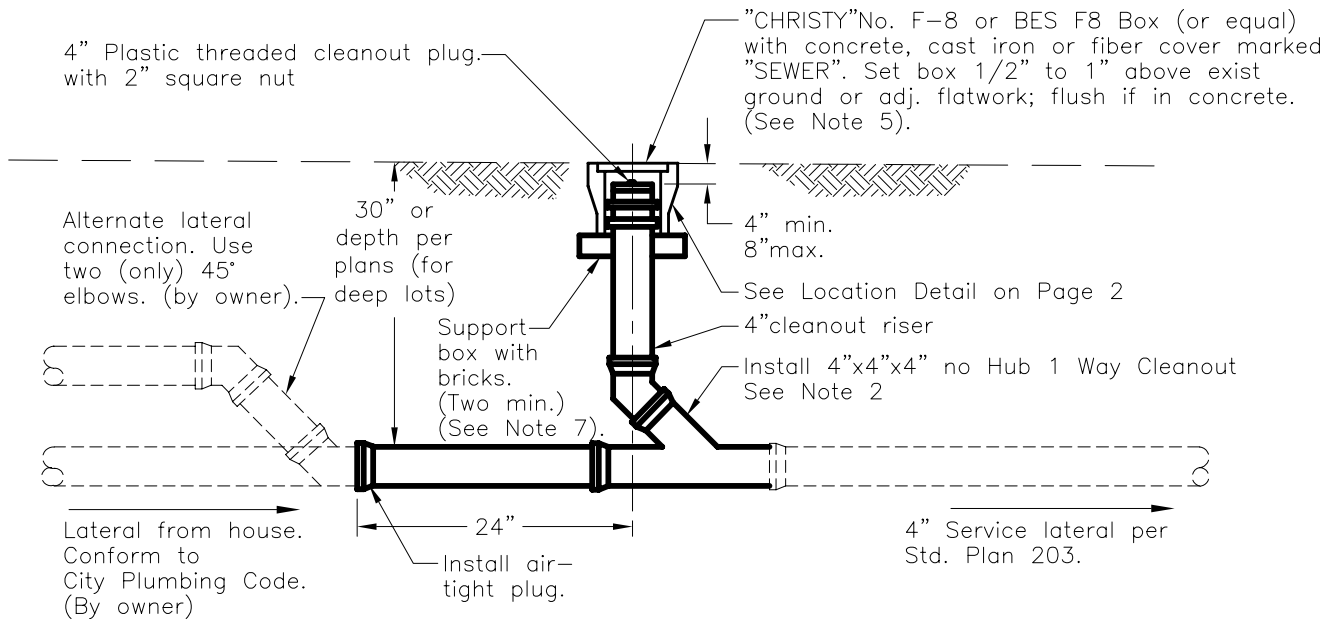




CITY OF LODI

PUBLIC WORKS DEPARTMENT

Wastewater Service Cleanout



Notes:

1. Install cleanout on all 4" wastewater services unless otherwise specified.
2. 45° Wye & 45° elbow combination shall be Polyvinyl Chloride (PVC) per ASTM D-3034 SDR 35 or Acrylonitrile-Butadiene-Styrene (ABS) per ASTM D-2751, Cast Iron Soil Pipe (ASTM A74, service unit) or Ductile Iron (ASTM A746) or VCP Wye tee ASTM C-425. See Material List Page 2.
3. Backfill shall conform to Std. Plan 501.
4. Maintenance of lateral shall be per City "Wastewater Lateral Maintenance Policy"
5. In commercial driveways. Use "Christy" G-5 box W/G-5C lid or BES equal; in residential driveways replace concrete lid with cast iron lid.
6. When service is installed with water service, terminate even with the water stub.
7. Support box not needed if set in concrete.

Related Plans:
203, 506

Sheet 1 of 2

Dr. KT	No. 1	Date 9/03	Revision MOVED C.O. LOCATION	Appr.	Approved By: <i>F. Wally Sandelin</i>	Date 9/25/02	STD PLAN
Ch. WS					F. Wally Sandelin City Engineer R.C.E. 39895	Date	201
Date 12/00							