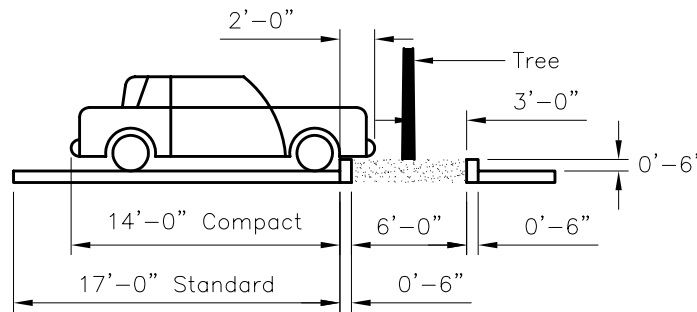


Planter Specification



Poured Curb with Overhang

Notes:

1. Minimum Planter Sizes: A minimum 6'-0" by 6'-0" planting area shall be provided for each tree planted in a tree well or planter strip. A minimum 4'-0" by 8'-0" planting area shall be provided for each tree planted in an island planter. Planter dimensions are measured from the interior side of the curb. (See illustration)
2. Tree must be planted behind the curb, at a distance no less than one half the minimum planter width or otherwise recommended by the city's arborist. A 2'-0" foot overhang for vehicles into the planter area is allowed as long as it does not overhang planter width or otherwise recommended by the city's arborist. A 2'-0" foot overhang into the planter area is allowed as long as it does not overhang within the required parking lot setback area or pedestrian walkway.
3. Materials: Planters shall contain soil, shrubs and/or living ground cover with 4" of bark mulch. Interlocking pavers and decomposed granite may also be utilized in heavily used areas.

Dr. KT	No.	Date	Revision	Appr.	Approved By:	STD PLAN
Ch. WS					<i>F. Wally Sandelin</i>	145
Date 12/00					F. Wally Sandelin City Engineer R.C.E. 39895	9/25/02 Date