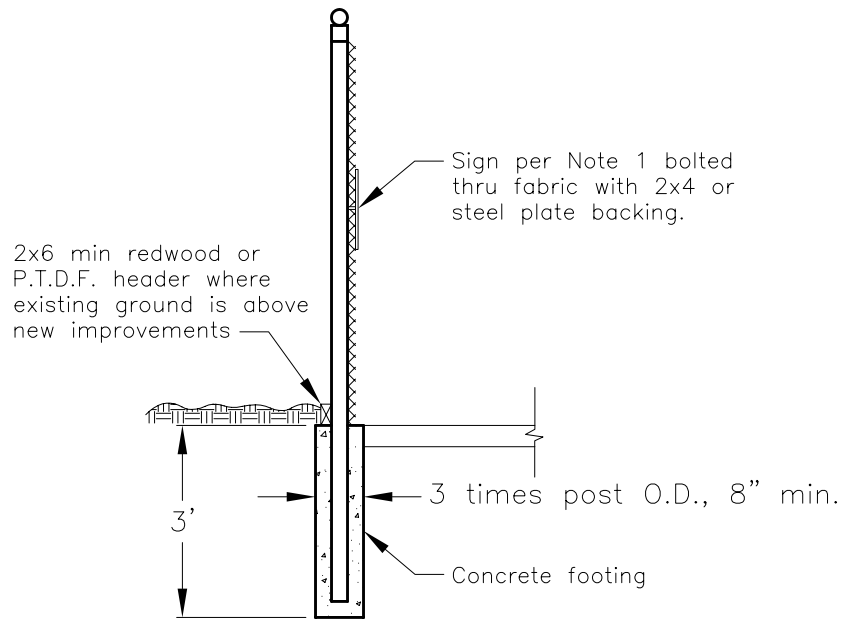
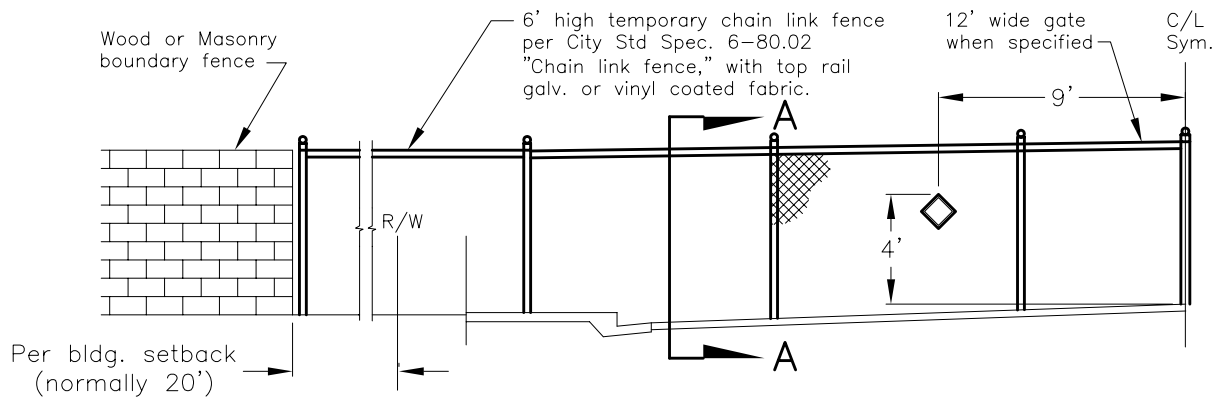




**Dead-end Barricade  
(Fence Type)**



Section A-A

Notes:

1. Install two fully reflective red Type N Markers, 18"x18".  
Backing: 0.080" aluminum 6061T6 alloy  
ReflectORIZATION: high intensity grade  
Mounting: two 5/16" bolts with double nuts and backing, bend bolts.
2. Serviceable portions of barricades being removed may be reused at new location as approved by the Engineer.

Dr. KT	No.	Date	Revision	Appr.	Approved By:	 F. Wally Sandelin City Engineer R.C.E. 39895	12/28/00 Date	STD PLAN			
Ch. WS					 F. Wally Sandelin City Engineer R.C.E. 39895			12/28/00 Date	139		
Date											
12/00											