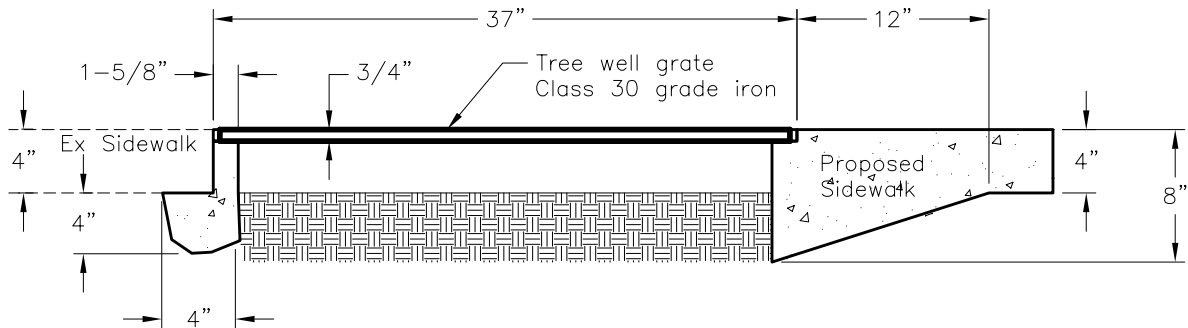
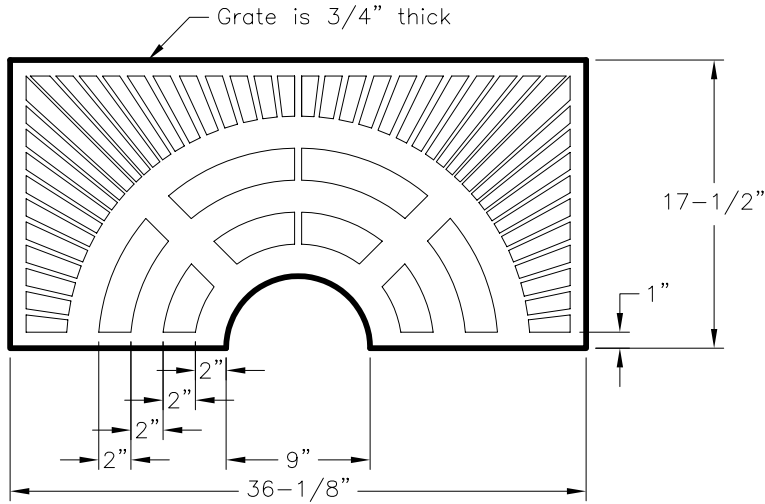




CITY OF LODI

PUBLIC WORKS DEPARTMENT

Grated Tree Well



Notes:

1. If the tree is not planted, the opening shall be barricaded.
2. When tree wells are installed in the existing sidewalk, the sidewalk shall be sawed a minimum of 1-1/2" in depth.
3. Place one #4x2' rebar diagonally at each corner.
4. Reinforcing steel shall not be placed through sidewalk weakened plane joints.

Dr. KT	No.	Date	Revision	Appr.	Approved By:	STD PLAN
Ch. WS					<i>F. Wally Sandelin</i>	12/28/00
Date 12/00					F. Wally Sandelin City Engineer R.C.E. 39895	Date 12/28/00
						138A