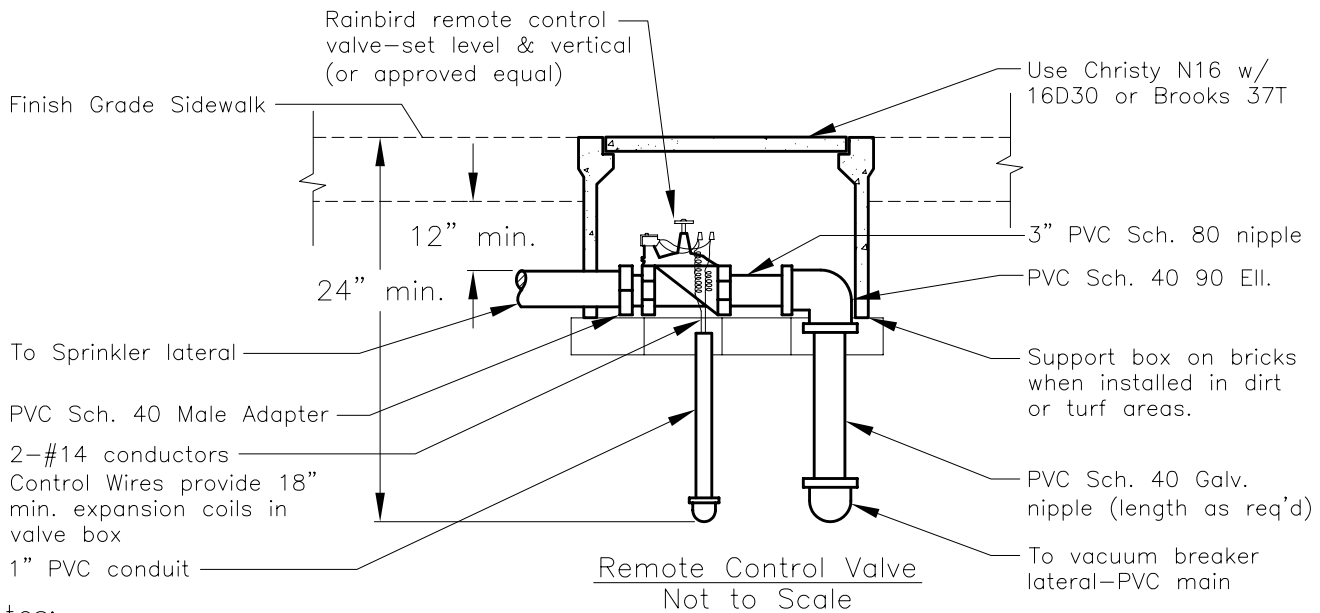
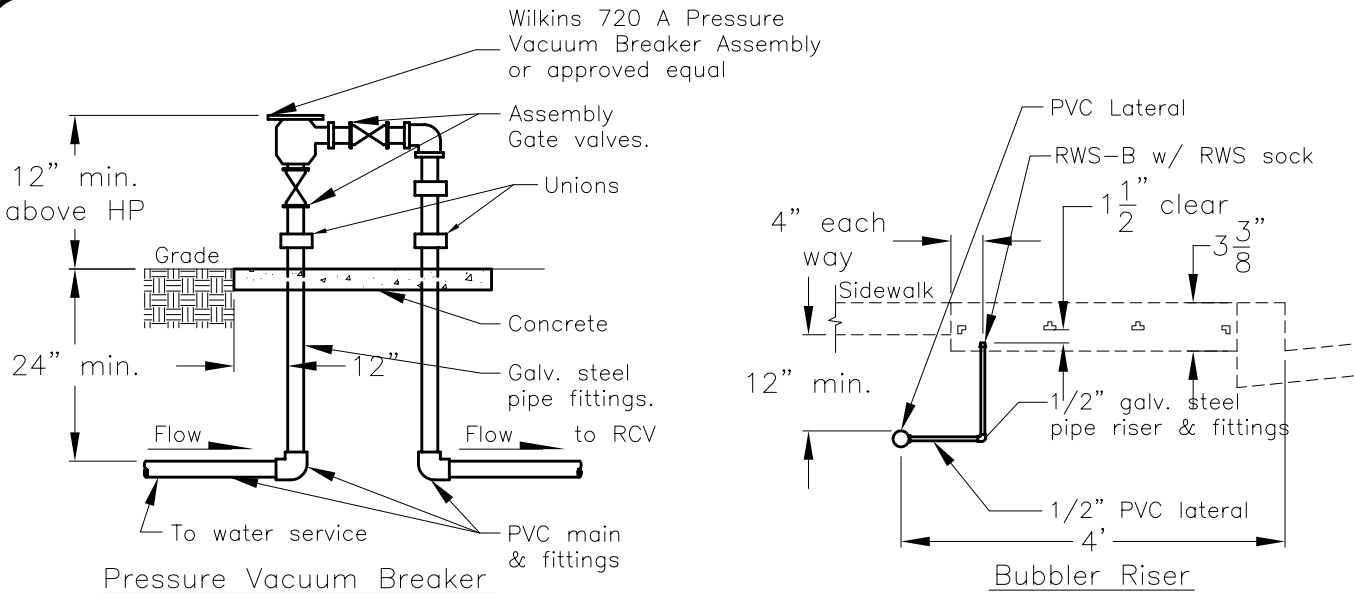




**Tree Well
Sprinkler System
Installation**



Notes:

1. Use Rainbird, or Irri-trol sprinkler system controller, disconnect switch required. Install controller and disconnect in post mounted, weatherproof cabinet (w/hasp for City padlock). Breaker box must accommodate City Master padlock and must be made of metal.
2. Plastic pipe shall be Polyvinyl Chloride (PVC), Type 1120 or 1220. Class per Table. Threaded pipe shall be Schedule 80 PVC. Fittings shall be molded, medium weight, Schedule 40 PVC. Street crossings, including control wire conduit, shall be steel pipe.
3. Steel pipe shall conform to ASTM A-120 and shall be Schedule 40, galvanized. Fittings shall be 150 lbs., banded pattern, galvanized malleable iron.
4. Control wires shall be installed in 1" conduit.

Dr. KT	No. 1	Date 2/04	Revision CHANGED NOTATION AND REVISED NOTE 1	Appr.	Approved By: <i>F. Wally Sandelin</i>	2/12/04	STD PLAN
Ch. WS					F. Wally Sandelin City Engineer R.C.E. 39895	Date	137
Date 12/00							