

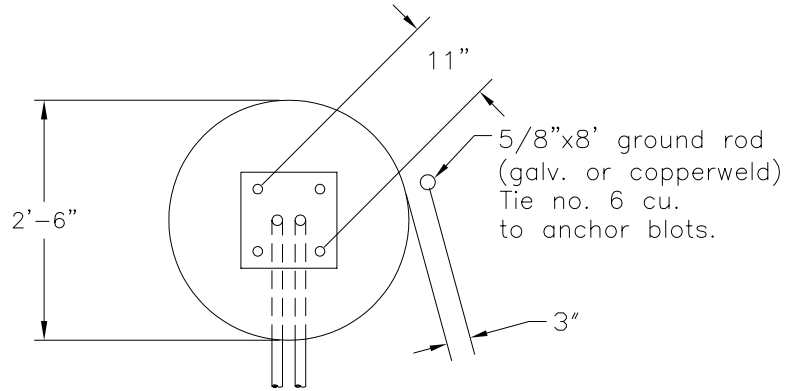


# CITY OF LODI

PUBLIC WORKS DEPARTMENT

## Street Light Foundation for Future Installation

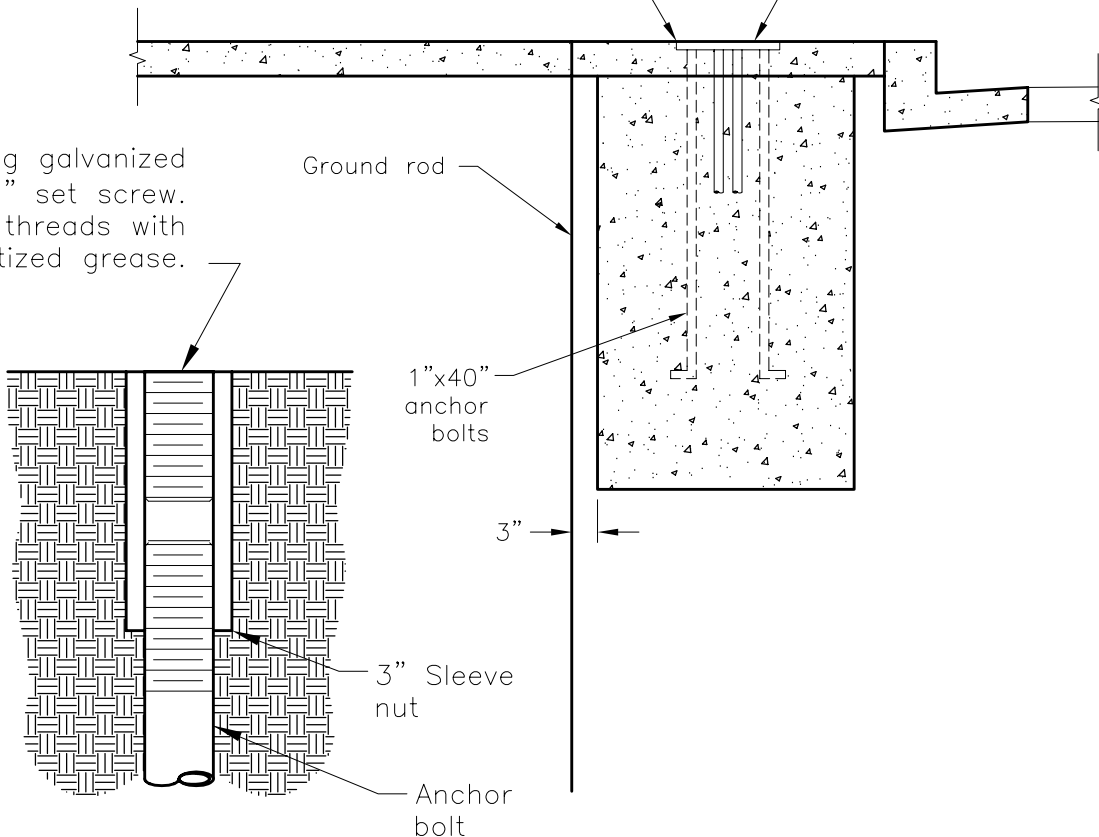
Bond all conduit and anchor bolts with no. 6 cu.



13" square level in both directions

Install conduit coupling flush with top of sidewalk, cap with recessed pipe plug, and lubricate with graphitized grease.

1-1/2" long galvanized "Allen Head" set screw. Lubricate threads with graphitized grease.



Dr.	No.	Date	Revision	Appr.	Approved By:	STD PLAN
KT					<i>F. Wally Sandelin</i> F. Wally Sandelin City Engineer R.C.E. 39895	9/25/02 Date
Ch.	WS					
Date	12/00					

131