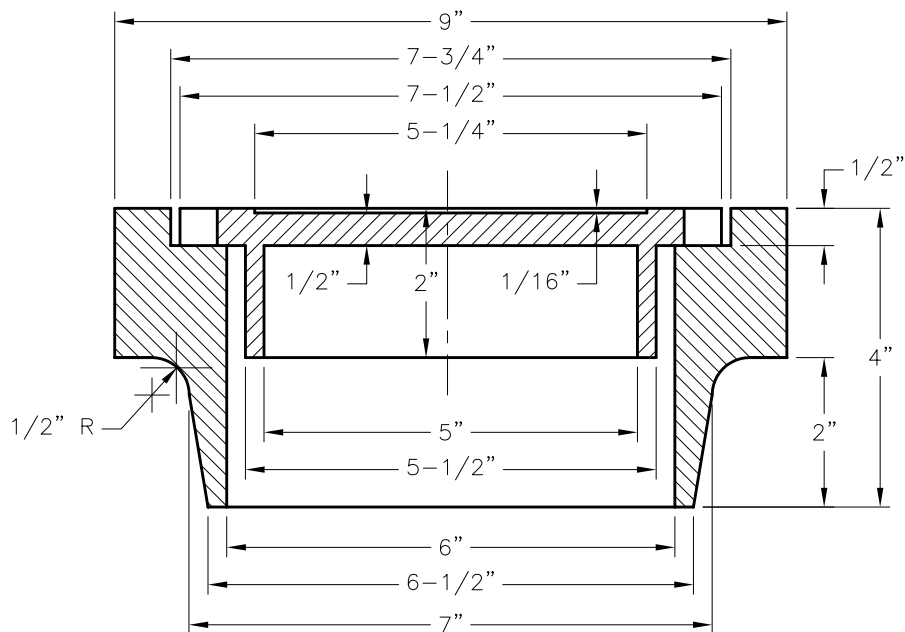
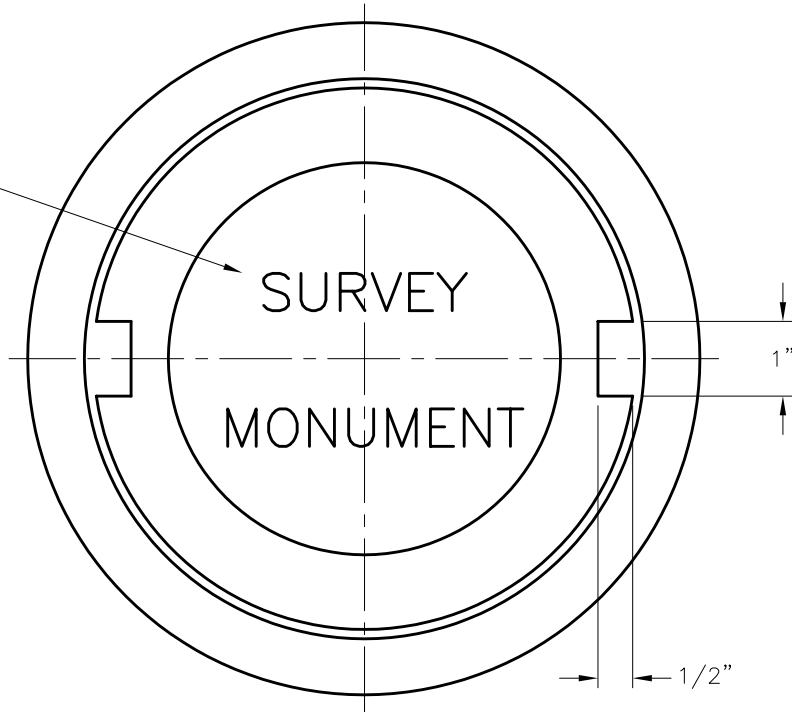




1/2" pattern letters



Notes:

1. Frame - Approx. wt. 22 lbs.
2. Cover - Approx. wt. 7 lbs.
3. Material - Cast Iron

Dr.	No.	Date	Revision	Appr.	Approved By:	STD PLAN
KT	1	2/04	REVISED FRAME DIMENSION		<i>F. Wally Sandelin</i>	130
Ch.					F. Wally Sandelin City Engineer R.C.E. 39895	2/12/04 Date
Date						
12/00						