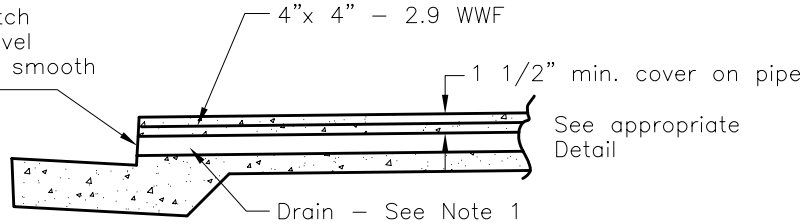




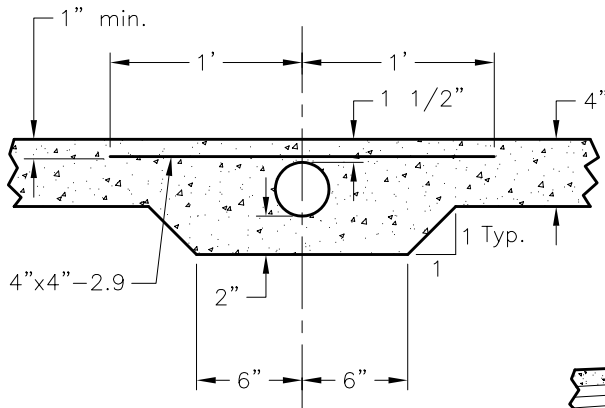
Cut pipe to match curb face or bevel 1/2" to provide smooth finish.



See appropriate Detail

See Note 3

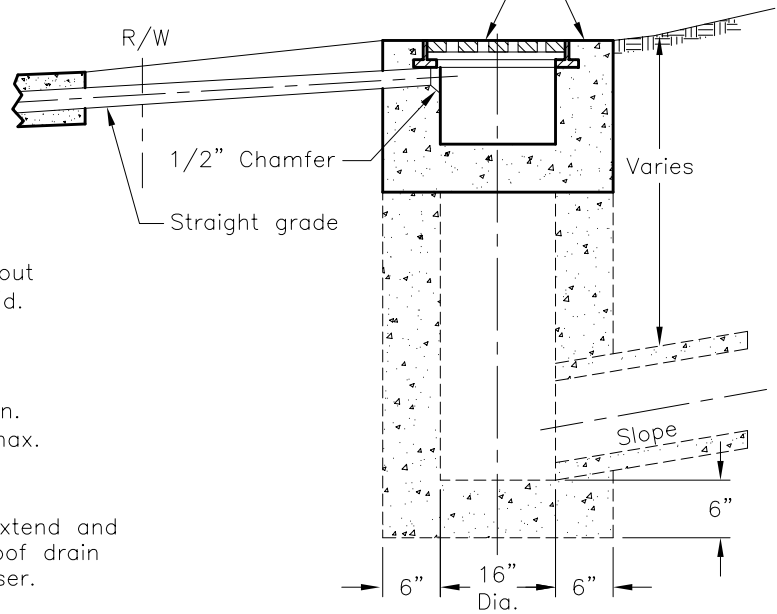
Section



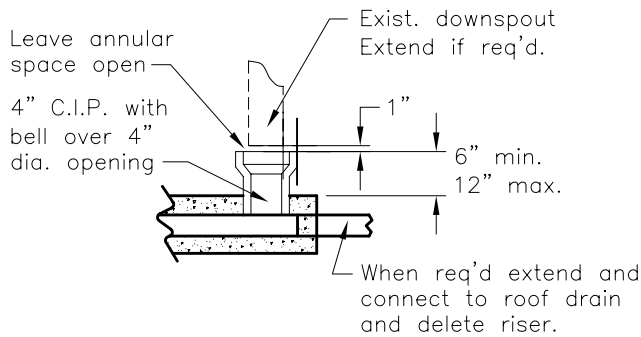
Drain Section

Minimum Top Elevation is same as top of curb

Drop inlet catch basin (See Std Plan 304) or cleanout with solid cover.



Yard Drain Detail



Roof Drain Detail

Notes:

1. Pipe alternates: 3" x 4"-26 Ga. Galv. downspout pipe  
3" x 4" round pipe-Sch 40 PVC, CIP or steel
2. Curb, gutter & sidewalk dimensions to match adjacent construction.
3. For installations in existing sidewalk, saw cut and remove 20" min width of sidewalk and curb. Gutter may be left in place.

Dr. KT	No.	Date	Revision	Appr.	Approved By:	STD PLAN
Ch. WS					<i>F. Wally Sandelin</i>	129
Date 12/00					F. Wally Sandelin City Engineer R.C.E. 39895	12/28/00 Date