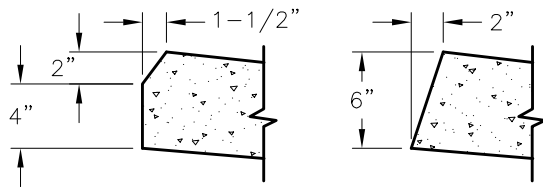
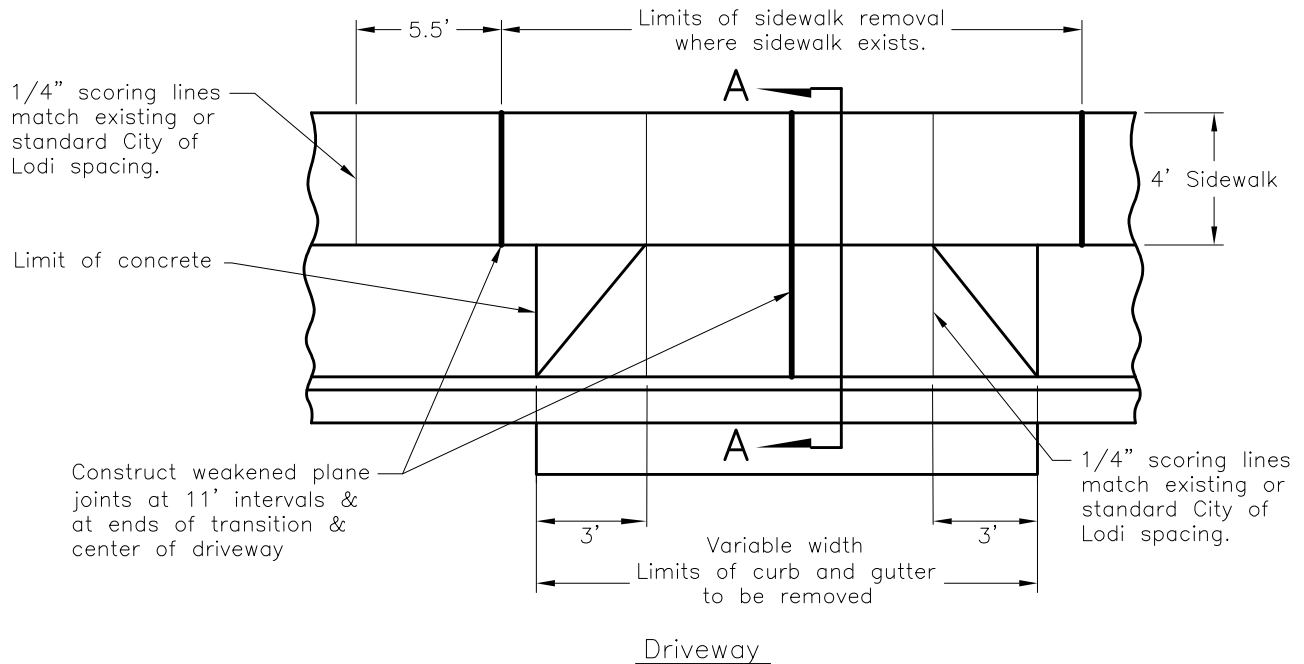




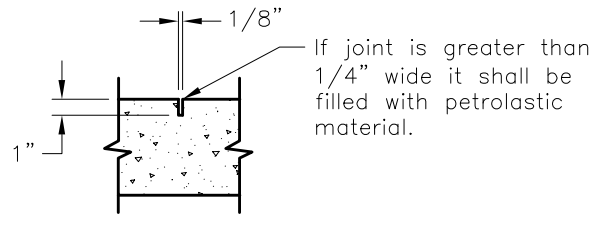
# CITY OF LODI

PUBLIC WORKS DEPARTMENT

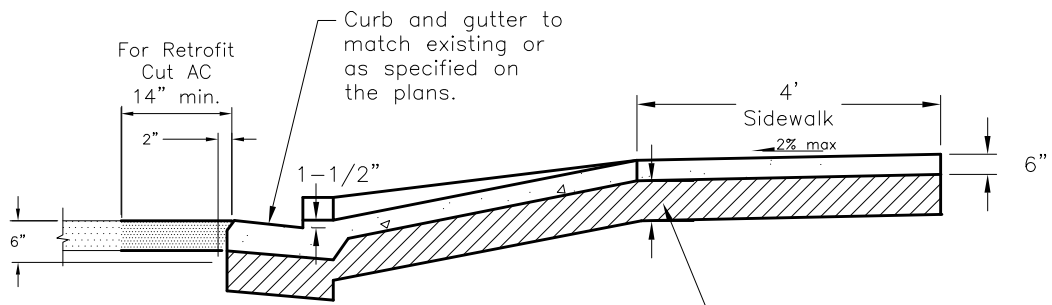
## Sidewalk and Driveway with Planting Strip



Detail  
Alternate Toe Configurations



Detail  
Weakened Plane Joint



Section A-A  
8"–90% R.C. Concrete Subgrade Compaction (See note 3)

Dr.	No.	Date	Revision	Appr.	Approved By:	Date	STD PLAN
K	1	9/03	ADDED SCORE LINES		<i>F. Wally Sandelin</i> F. Wally Sandelin City Engineer R.C.E. 39895	9/07	121
WS	2	2/04	ADDED FILL AREA IN PARKWAY				
	3	2/05	ADDED ALT. B SECTION				
	4	9/07	MINOR REVISIONS				
Date	12/00						