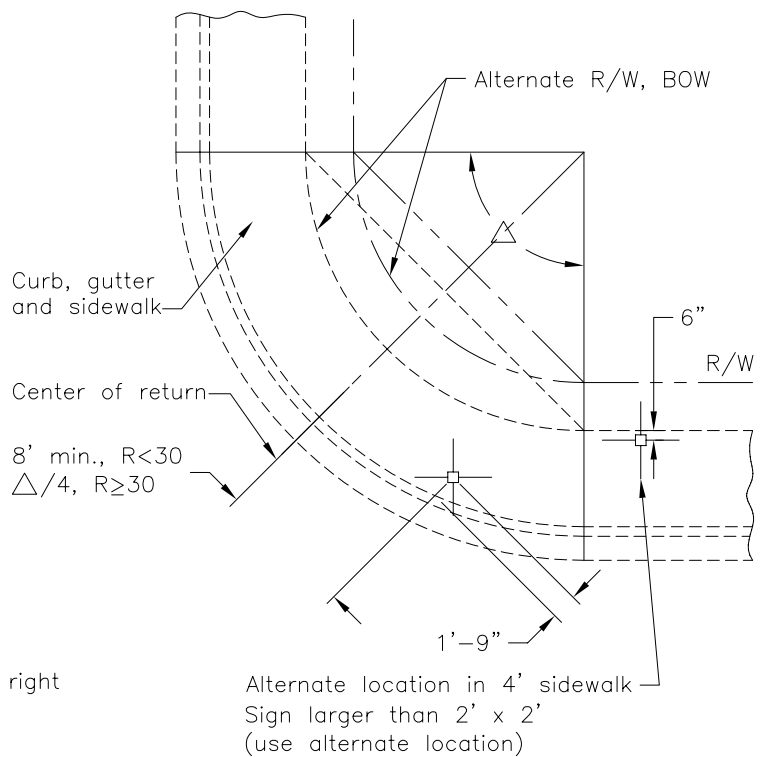
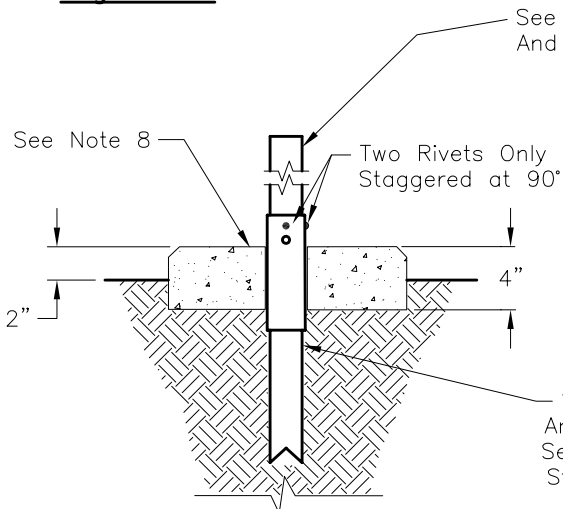


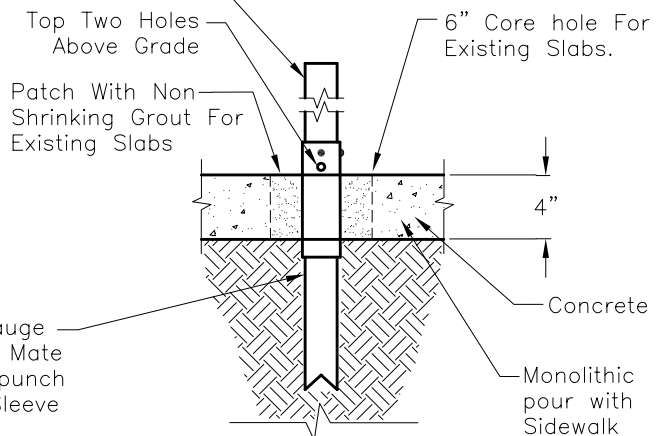
Sign Post



Sign Post Location



Dirt Location



Sidewalk Location

Dr.	No.	Date	Revision	Appr.
KT	1	9/03	CHANGED 2"Ø PIPE TO 2" SQ.	
WS	2	2/04	MOVED NOTES TO SECOND PAGE	
Date				
12/00				

Approved By: *F. Wally Sandelin* 2/12/04
 F. Wally Sandelin
 City Engineer
 R.C.E. 39895
 Date