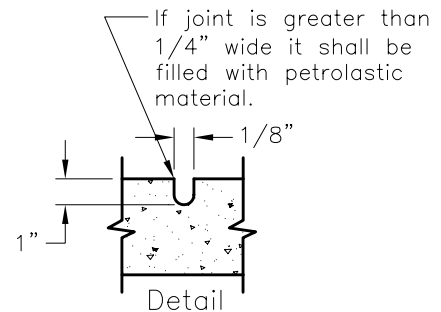
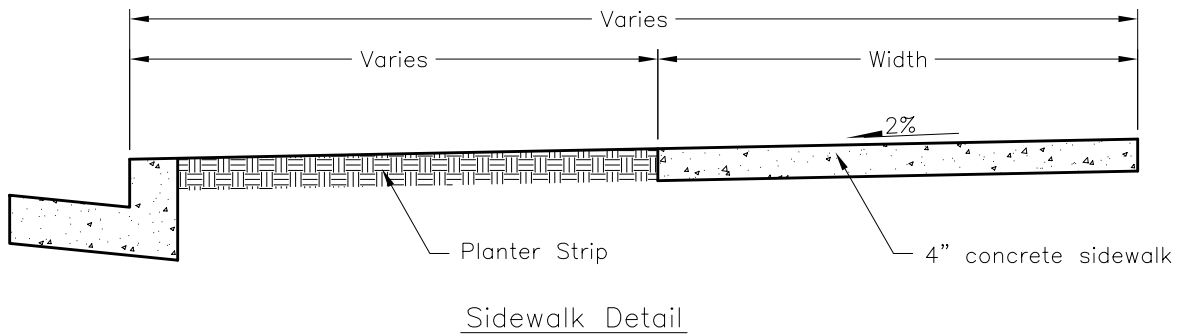
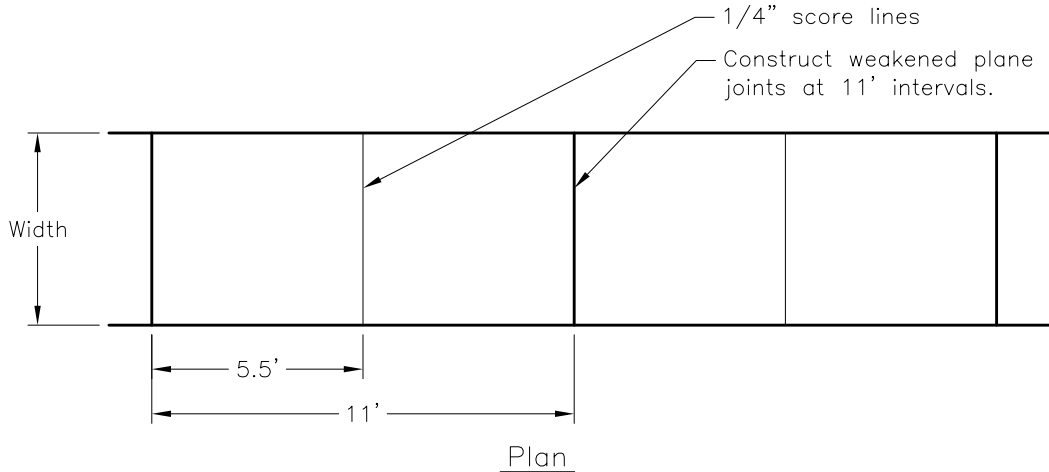




# CITY OF LODI

PUBLIC WORKS DEPARTMENT

## Sidewalk Repair



Weakened Plane Joint

Notes:

1. Match width with adjacent existing sidewalk. For replacement less than 11' match scoring pattern.
2. Concrete shall be 2500 psi @ 28 days. Max. 4" slump. For jobs less than one yard, no static trailer mix, mixer trailer may be used.
3. Construct sidewalk on firm stable subgrade.
4. Light broom finish.
5. Impervious membrane cure.

Dr. KT	No.	Date	Revision	Appr.	Approved By:	STD PLAN
Ch. WS					<i>F. Wally Sandelin</i>	117
Date 12/00					F. Wally Sandelin City Engineer R.C.E. 39895	12/28/00 Date