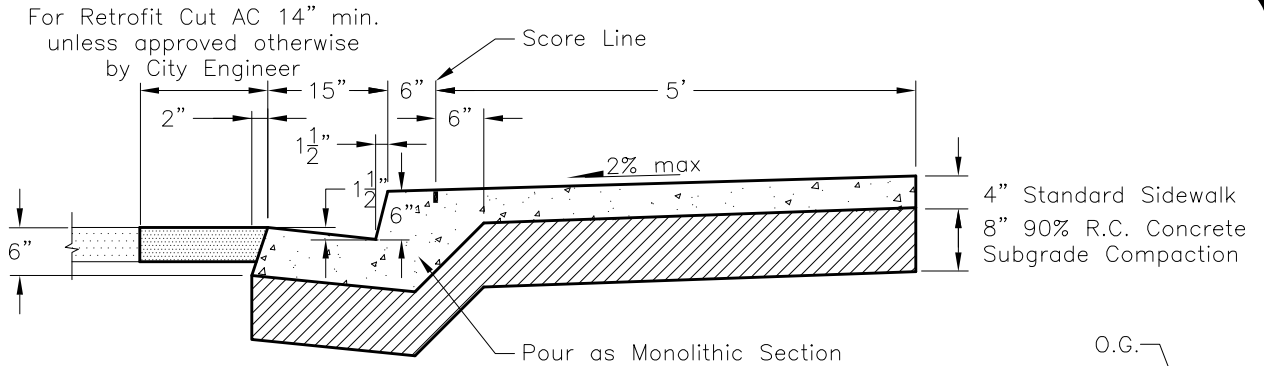




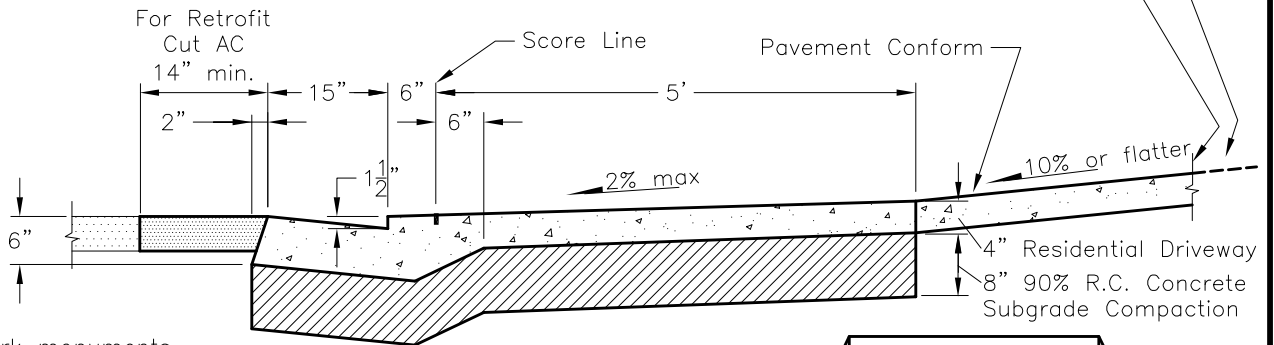
# CITY OF LODI

PUBLIC WORKS DEPARTMENT

## Square-Type Curb, Gutter, Sidewalk and Residential Driveway

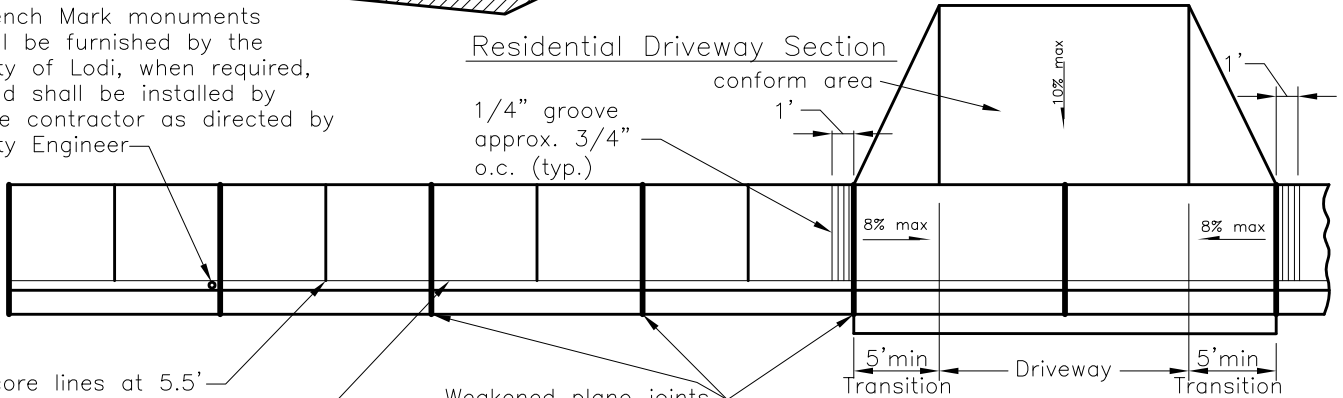


Curb, Gutter, & Sidewalk Section



Residential Driveway Section

Bench Mark monuments will be furnished by the City of Lodi, when required, and shall be installed by the contractor as directed by City Engineer



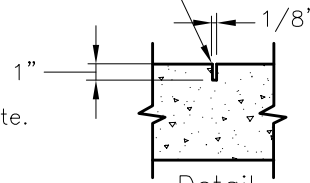
Plan

Ramp Typical Details  
Std. Plan 132A, B, & C

Notes:

1. Construct weakened plane joints at 11' intervals, at ends of driveway transitions, and at center of driveway.
2. Use impervious membrane cure. Broom finish.
3. Class B concrete per Section 90 of Std. Spec., 1 1/2" max. aggregate.
4. Construct expansion joints at 200' max.
5. All exposed edges shall be rounded to 1/2" radius.

If joint is greater than 1/4" wide it shall be filled with petrolastic material.



Detail  
Weakened Plane Joint

Dr. KT	No. 1	Date 9/07	Revision MINOR REVISIONS	Appr.	Approved By: <i>F. Wally Sandelin</i>	9/07	STD PLAN
Ch. WS					F. Wally Sandelin City Engineer R.C.E. 39895	Date	112
Date 9/08							