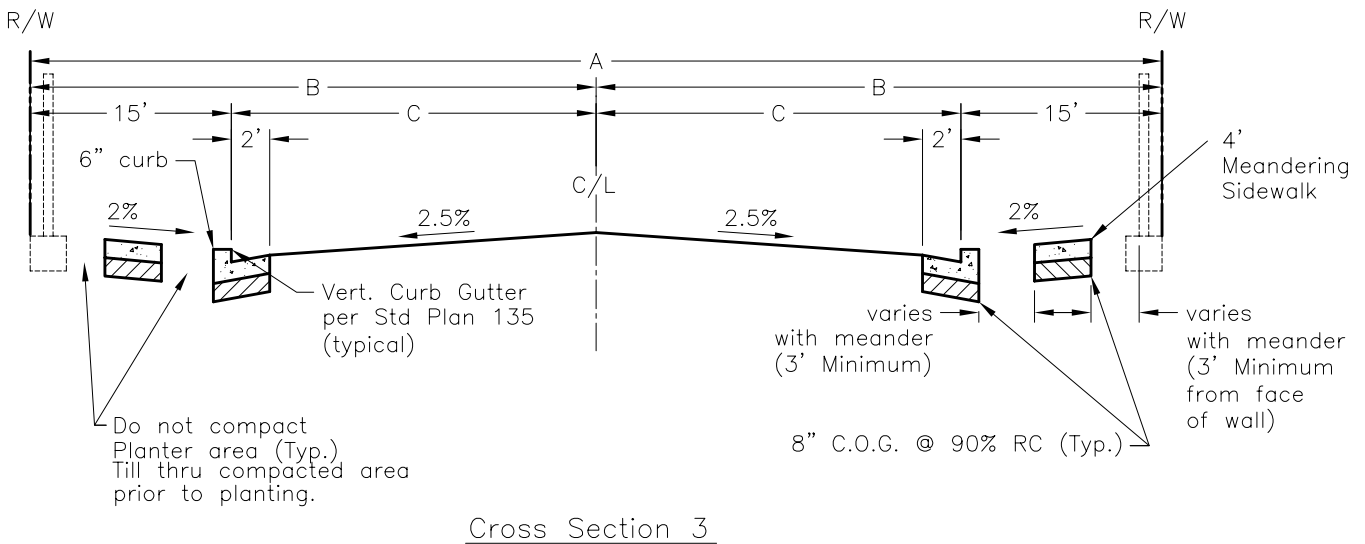
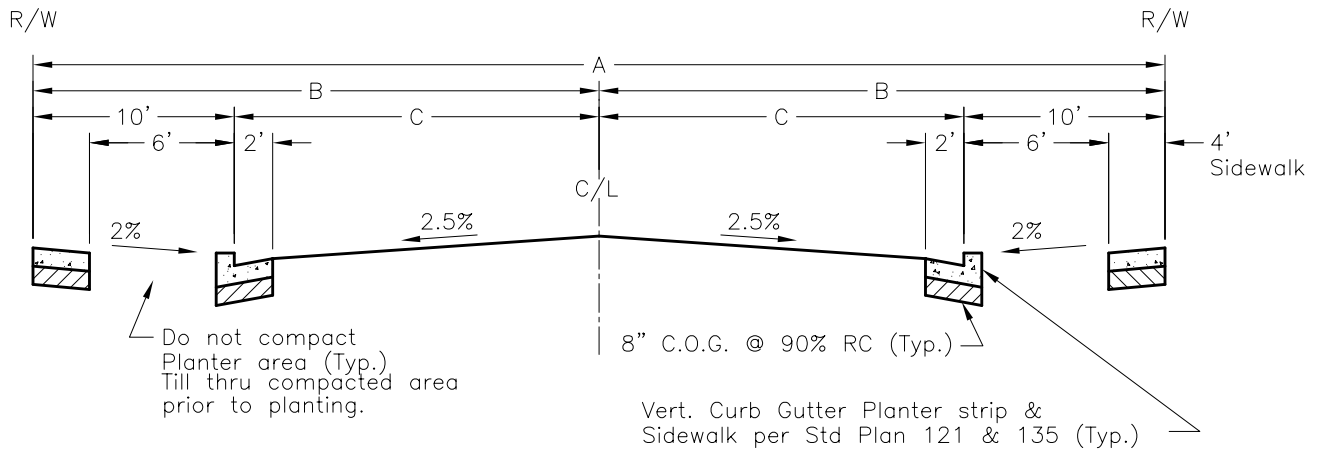
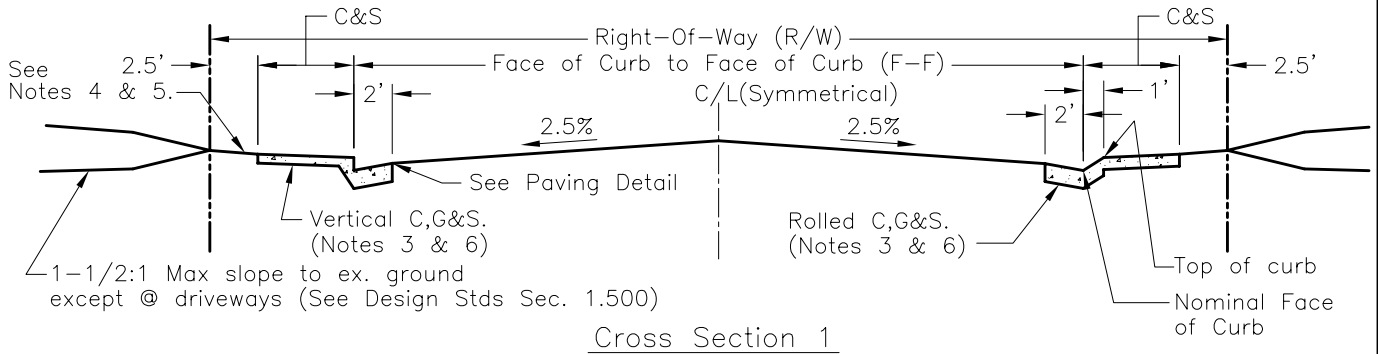




# CITY OF LODI

PUBLIC WORKS DEPARTMENT

# STREET SECTIONS



Sheet 1 of 2

Dr.	KT	No.	Date	Revision	Appr.	Approved By:	STD PLAN
Ch.	WS	1	2/05	ADDED CROSS SECTION 3		<i>F. Wally Sandelin</i>	101
Date	12/00					2/2/05 Date	
						F. Wally Sandelin City Engineer R.C.E. 39895	