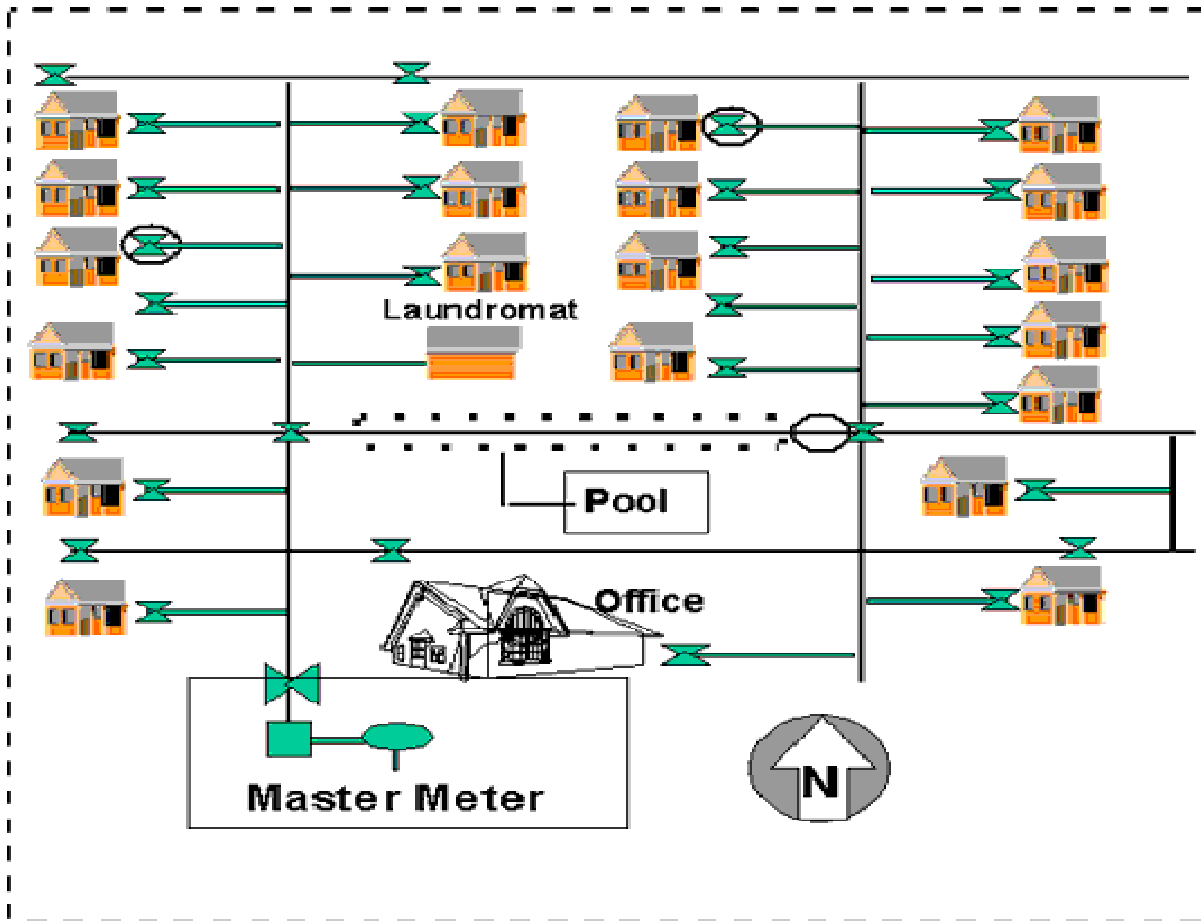


Operator of Small Natural Gas Systems

MASTER METER SYSTEM

A natural gas pipeline system for distributing natural gas for resale within, but not limited to, a distinct area, such as a mobile home park, housing project, or apartment complex, where the operator purchases metered gas from an outside source. The natural gas distribution pipeline system supplies the ultimate consumer who either purchases the gas directly through a meter or by other means such as by rent.



Railroad Commission Master Meter Information:

<http://www.rrc.state.tx.us/programs/mastermeter/index.php>

Guidance Manual for Operators of Small Natural Gas Systems:

<http://www.phmsa.dot.gov/portal/site/PHMSA/menuitem.ebdc7a8a7e39f2e55cf2031050248a0c/?vgnextoid=a7c6ca170a574110VgnVCM1000009ed07898RCRD&vgnnextchannel=67027e2cd44d3110VgnVCM1000009ed07898RCRD&vgnextfmt=print>

The Guidance Manual can be downloaded and printed, and all the necessary forms are included.